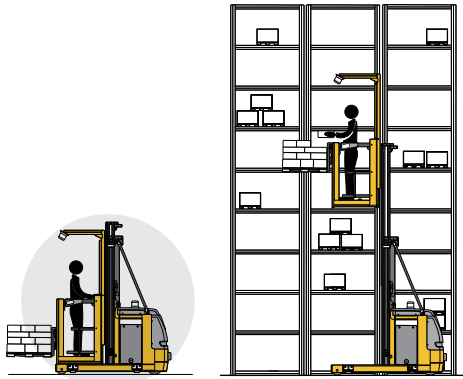


## Vertical order picker

rev.01/2011

*Intermediate level order picking truck and platform lifting height 2.900 mm for manual picking up to 4.500 mm. Electrical servo-steering wheel. The separate excitation traction motor guarantees elevated performance and velocity. Perfect for manual picking. The high capacity battery ensures good working autonomy.*



**OMG S.p.A.**  
via dell'Artigianato, 12  
46023 - GONZAGA (MN) Italy  
Tel. + 39 0376 52.60.11  
Fax. + 39 0376 58.80.08  
[www.omgindustry.com](http://www.omgindustry.com)  
[info@omgindustry.com](mailto:info@omgindustry.com)

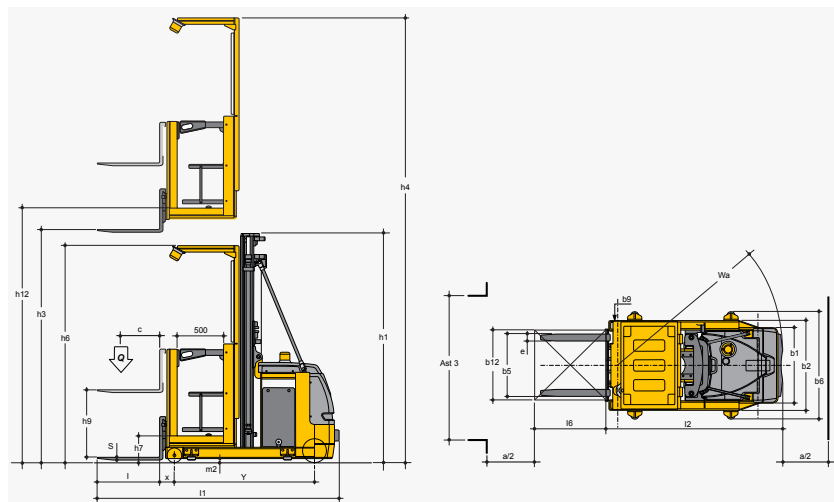


Azienda Certificata  
ISO 9001:2008 N°7236 MN  
ISO 9001:2008 N°23355

Characteristics	1.1	Manufacturer		OMG S.p.A.
	1.2	Manufacturer's model designation		602
	1.3	Drive : E ( electric )		E
	1.4	Type of control : S (steering wheel) P (standing)		S / P
	1.5	Load capacity	Q ( t )	1.0
	1.6	Load centre distance	c ( mm )	400
	1.8	Load distance, centre of drive axle to fork	X ( mm )	140
	1.9	Wheelbase	Y ( mm )	1.490
	Weight	2.1	Service weight ( battery included )	
2.2		Axle loading mast ( with load )	front / rear	Kg 780 / 2.490
2.3		Axle loading mast ( without load )	front / rear	Kg 1.250 / 940
Wheels - Chassis	3.1	Tyres : vlk ( vulkollan ) plt ( polyurethane )		plt
	3.2	Front wheels size		mm 256
	3.3	Rear wheels size		mm 150
	3.5	Wheels : number front / rear ( x = traction )		1x / 2
	3.7	Rear track width	b 10 ( mm )	
Dimensions	4.2	Lowered mast height		h1 ( mm ) 2.320
	4.4	Lifting height		h3 ( mm ) 2.720
	4.5	Extended mast height		h4 ( mm ) 4.910
	4.7	Overhead guard height		h6 ( mm ) 2.280
	4.8	Seat height / standing height		h7 ( mm ) 280
	4.11	Additional lift		h9 ( mm ) 780
	4.14	Standing height, elevated		h12 ( mm ) 2.900
	4.19	Overall length ( without load )		l1 ( mm ) 2.610
	4.20	Length to forks face		l2 ( mm ) 1.820
	4.21	Overall width	b1 / b2 ( mm )	800 / 950
	4.22	Forks dimensions	s / e / l	30 / 100 / 790
	4.24	Fork carriage width	b3 ( mm )	750
	4.25	Width over forks	b5 ( mm )	750
	4.27	Width over side rollers	b6 ( mm )	1.140
	4.31	Ground clearance, under mast	laden	m1 ( mm )
	4.32	Ground clearance	laden	m2 ( mm ) 40
	4.34	Aisle width with pallets 1000 x 1200 forking side 1200		Ast3 ( mm ) 2.820
		Aisle width with pallets 1000 x 1200 forking side 800		Ast3 ( mm )
	4.35	Turning radius		Wa ( mm ) 1.750
	4.39	Total lifting height		h3+h9 ( mm ) 3.420
	4.40	Picking height		h12+1600 ( mm ) 4.500
	4.42	Pallet width		b12 ( mm ) 800
	4.43	Pallet length		l6 ( mm ) 1.200
	4.44	Operator's working place width		( mm ) 500
4.45	Operator's cab height		( mm ) 1.950	
4.46	Operator's cab width		b9 ( mm ) 860	
	Platform's Length / height / width		( mm ) 500 / 1.950 / 800	
Performances	5.1	Travel speed	laden / unladen	Km / h 8 / 8.2
	5.2	Lifting speed	laden / unladen	m / s 0.18 / 0.2
	5.3	Lowering speed	laden / unladen	m / s 0.33 / 0.25
	5.10	Service brake M ( mechanical ) I ( hydraulic ) IV ( inversion braking )		IV
5.11	Parking brake EM ( electromagnetical )		EM	
El. Motor	6.1	Traction motor, rating S2 60 min	KW	2.6
	6.2	Lifting motor, rating S3 15%	KW	3
	6.3	Battery according DIN 43531 / 35 / 36 A, B, C, no		DIN
	6.4	Battery voltage, nominal capacity K5	V / Ah	24 / 420
	6.5	Battery weight ( ± 5 % )	Kg	360
Others	8.1	Type of travel control		MOS DC
	8.4	Sound level at driver's ear	dB ( A )	< 70
	8.6	Steering : E ( electric )		E

servo-steering on steering wheel	s	electronic speed control	s
steering wheel position indicator	s	electromagnetic parking brake	s
battery side extraction	s	BDI/hour meter with lifting cut-off at 80% discharge	s
single battery stand	o	capacity 1.0 t	s
double battery stand (with wheels)	o	courtesy cabin lights	s
intermediate lifting of forks	s	adjustable front lamps	o
side-rollers	o	traction battery 24 V 500 Ah	o
driving system on fork side	o	diagonal lift	o
automatic battery refilling	o	electronic braking system	s
s=standard		o=option	

h12		h1	h4	h9	h3	(Q) t
2.900	mm	2.320	4.910	780	2.720	1.0



Technical specification according VDI 2198

Information and data are given for information only, OMG S.p.A. will have the sole right for technical changes and improvements without giving any notice.